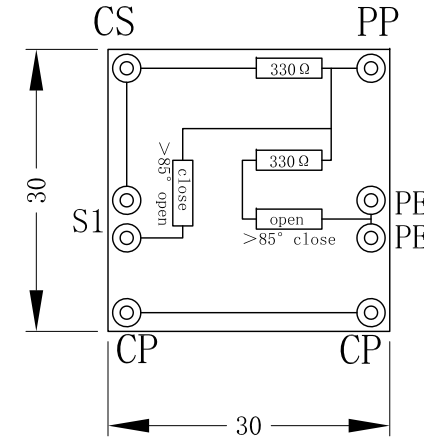
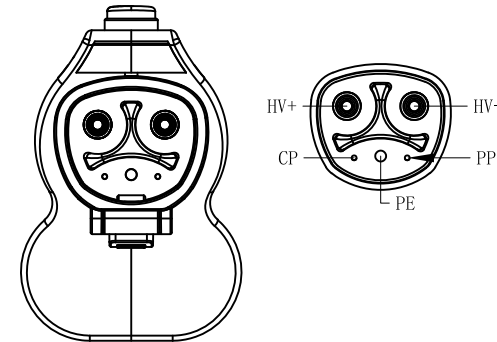
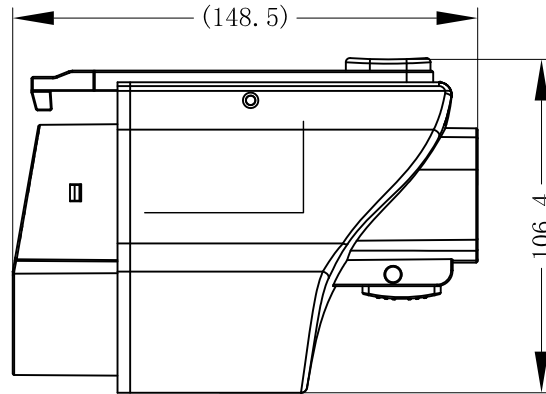
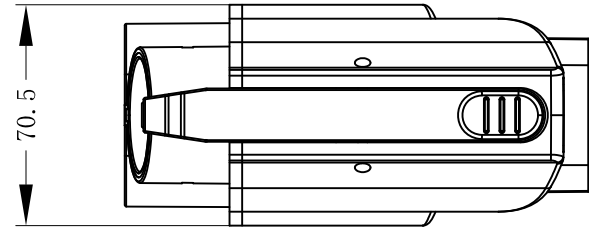
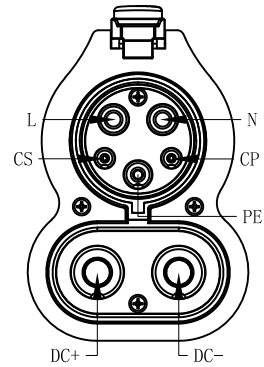
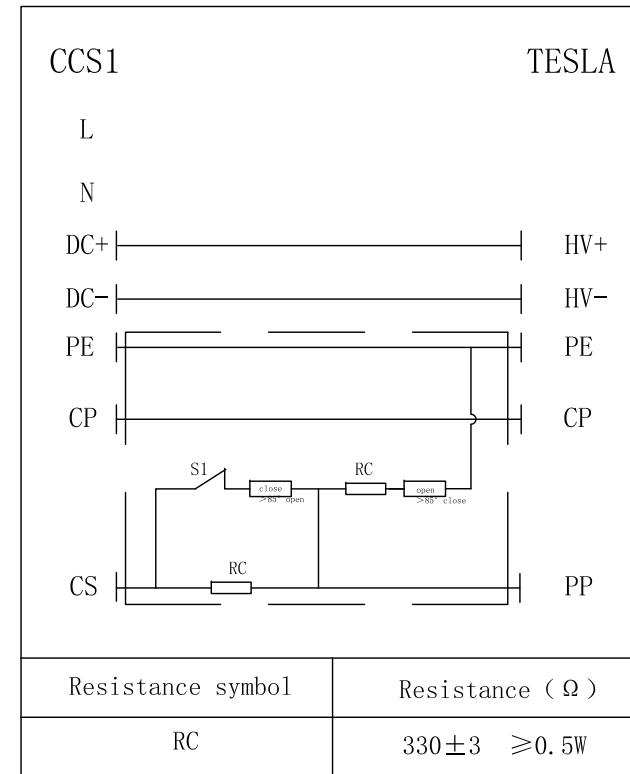
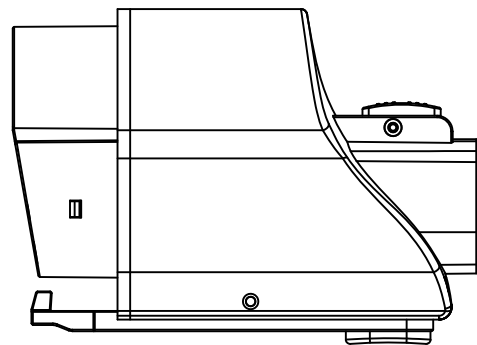
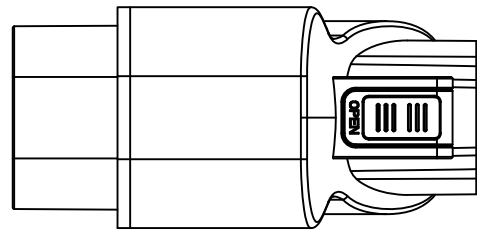


**RoHS Compliant**

|       |                    |          |           |         |
|-------|--------------------|----------|-----------|---------|
| RevNo | Revision note      | Date     | Signature | Checked |
| 1.0   | Product to release | 24/08/12 | Darrick   |         |



The main parameters/主要参数  
 Rated current/额定电流:300A  
 Operating voltage/额定电压:1000V DC  
 Insulation resistance/绝缘电阻:>1000MΩ  
 Contact resistance/接触电阻:0.5 mΩ Max  
 Withstand voltage/耐电压:2500V  
 Plastic shell fire rating/胶壳防火等级:UL94 V-0  
 Coupled insertion force/产品插拔力:<100N  
 Protection class/防护等级: IP55  
 Gun head/枪头: PA66+25%GF  
 Housing/壳体: PA66+25%GF  
 Conductor/导体: Brass H62-Y/2, Silver plating 5um  
 temperature/环境温度:-30C to +50C



| 4   | Shell     | PA66+25%GF,black,UL94-V0                       | xxx      |        |
|-----|-----------|--|----------|--------|
| 3   | Terminal  | H62 Brass,silver plated                        | xxx      |        |
| 2   | Connector | CCS1 male connector,PA66+25%GF,black,UL94-V0   | xxx      |        |
| 1   | Connector | NACS female connector,PA66+25%GF,black,UL94-V0 | xxx      |        |
| NO. | PART NAME | SPEC DESCRIPTION                               | PART P/N | REMARK |

|               |                      |                        |                        |                            |
|---------------|----------------------|------------------------|------------------------|----------------------------|
| Mould number: | Customer: M018UA     | Customer P/N: HA-A0004 | Article No./ HY-GC-001 |                            |
|               | Designed by: Darrick | Checked by:            | Approved by - date:    | File name: D-xxx           |
|               |                      |                        |                        | Date: 24/08/12             |
|               |                      |                        |                        | Scale: None                |
|               |                      |                        |                        | Unit: mm                   |
|               |                      |                        |                        | Name: NACS to CCS1 Adapter |
|               |                      |                        |                        | Number: HEV.ADT0C1-0017    |
|               |                      |                        |                        | Edition: 1.0               |
|               |                      |                        |                        | Sheet: 1/2 A3              |

**My Cable Mart**