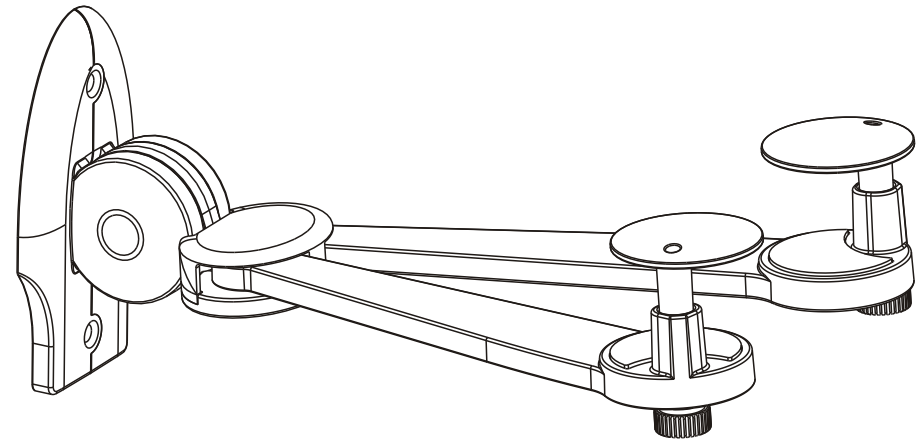


Maintenance

- Check that the bracket is secure and safe to use at regular intervals(at least every three months).
- Please contact your distributor if you have any questions.

Folding DVD Wall Mount



DVD-20



CAUTION: DO NOT EXCEED RATED LISTED WEIGHT. SERIOUS INJURY OR PROPERTY DAMAGE MAY OCCUR!

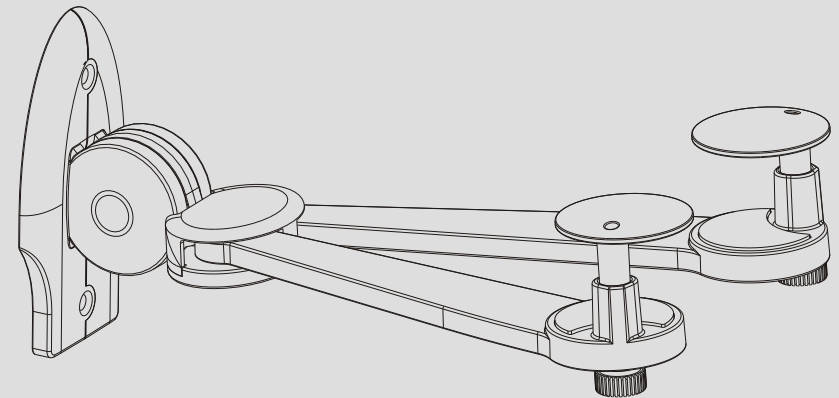
NOTE: Read the entire instruction manual before you start installation and assembly.

WARNING

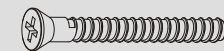
- Do not begin the installation until you have read and understood all the instructions and warnings contained in this installation sheet. If you have any questions regarding any of the instructions or warnings, please contact your local distributor.
- This mounting bracket was designed to be installed and utilised **ONLY** as specified in this manual. Improper installation of this product may cause damage or serious injury.
- This product should only be installed by someone with good mechanical ability who has basic building experience and fully understands this manual.
- Make sure that the supporting surface will safely support the combined weight of the equipment and all attached hardware and components.
- If mounting to wood wall studs, make sure that mounting screws are anchored into the center of the studs. The use of a stud finder is highly recommended.
- Always use an assistant or mechanical lifting equipment to safely lift and position the equipment.
- Tighten screws firmly, but do not over tighten. Over tightening can cause damage to the items, This greatly reduces their holding power.
- This product is intended for indoor use only. Using this product outdoors could lead to product failure and personal injury.

Component Checklist

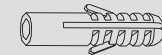
IMPORTANT: Ensure that you have received all parts according to the component checklist prior to installation. If any parts are missing or faulty, telephone your local distributor for a replacement.



Package W

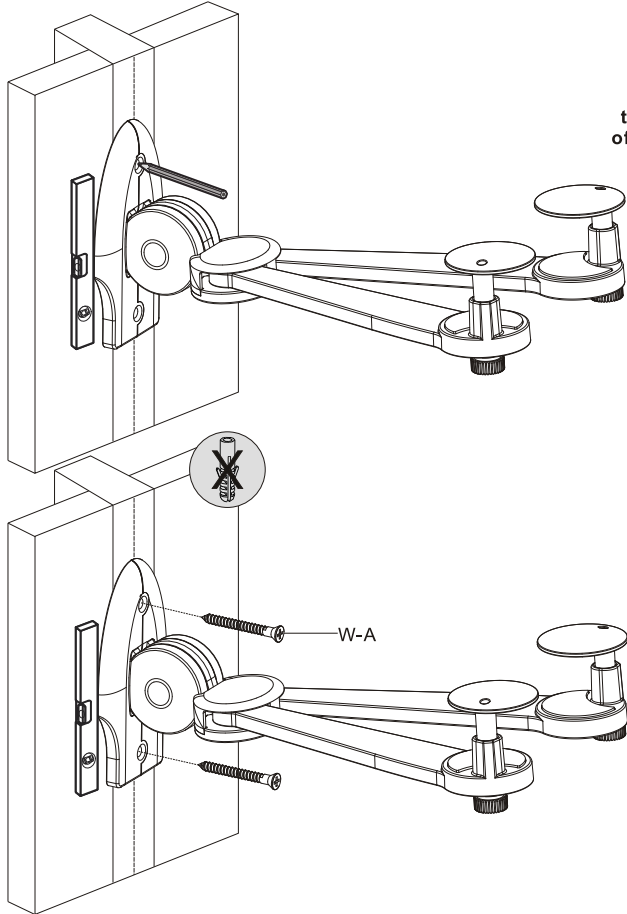
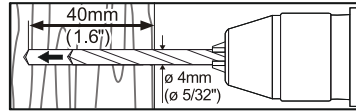
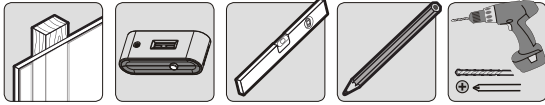


ST5.5x38 (x2)
W-A

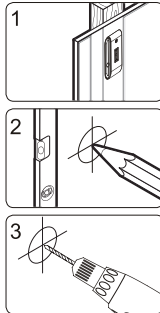


concrete anchor (x2)
W-B

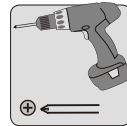
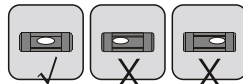
1a. For Wood Stud Wall Mounting



Find and mark the exact location of mounting holes.



Drill pilot holes

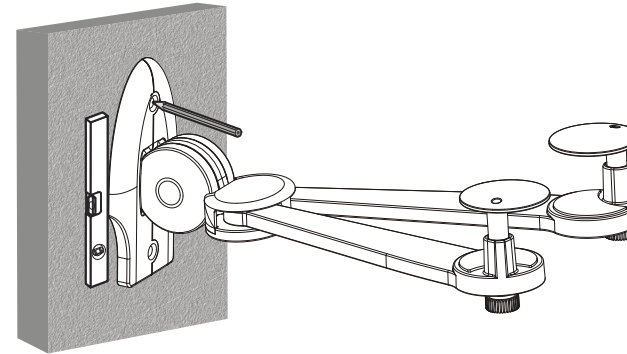
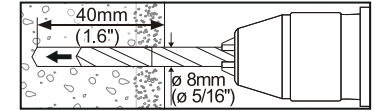
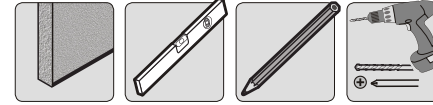


Screw the wall mount onto the wall

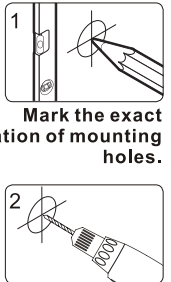
! WARNING

- Make sure that mounting screws are anchored into the center of the studs. The use of a stud finder is highly recommended.
- Installers are responsible to provide hardware for other types of mounting situations.
- Installers must verify that the supporting surface will safely support the combined weight of the equipment and all attached hardware and components.

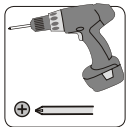
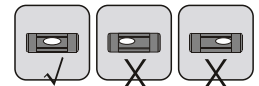
1b. For Solid Brick and Concrete Mounting



Mark the exact location of mounting holes.



Drill pilot holes

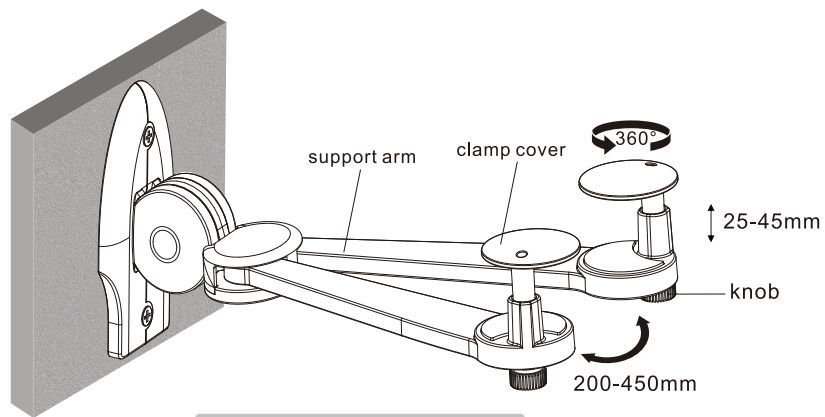


Screw the wall mount onto the wall

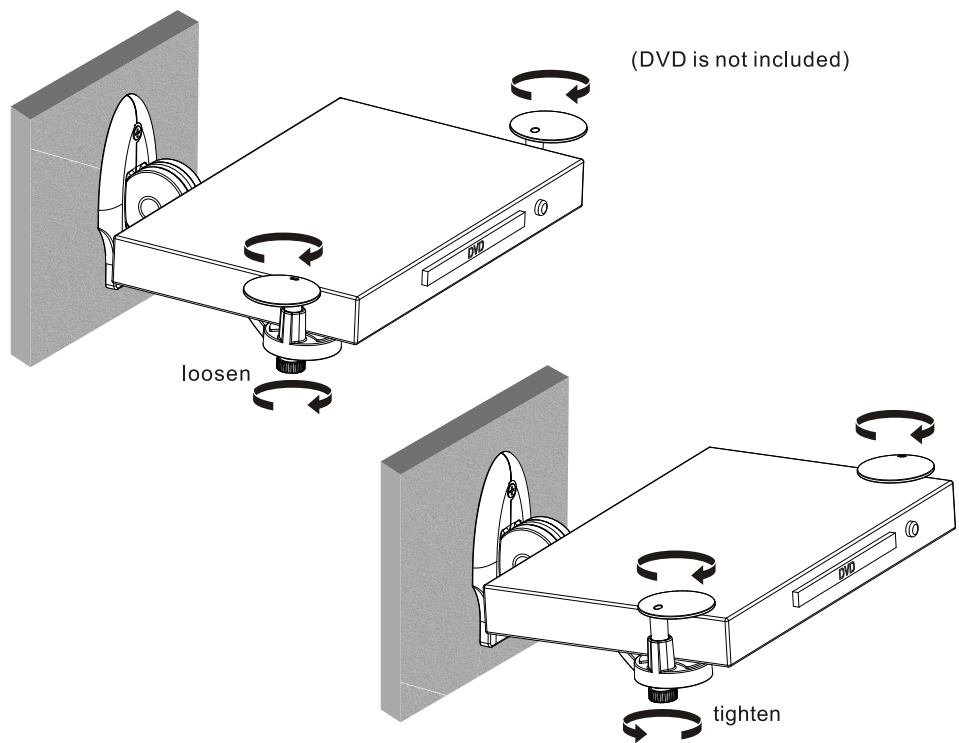
! WARNING

Installers must verify that the supporting surface will safely support the combined weight of the equipment and all attached hardware and components.

2. Installing the DVD



Place the DVD on the mount.



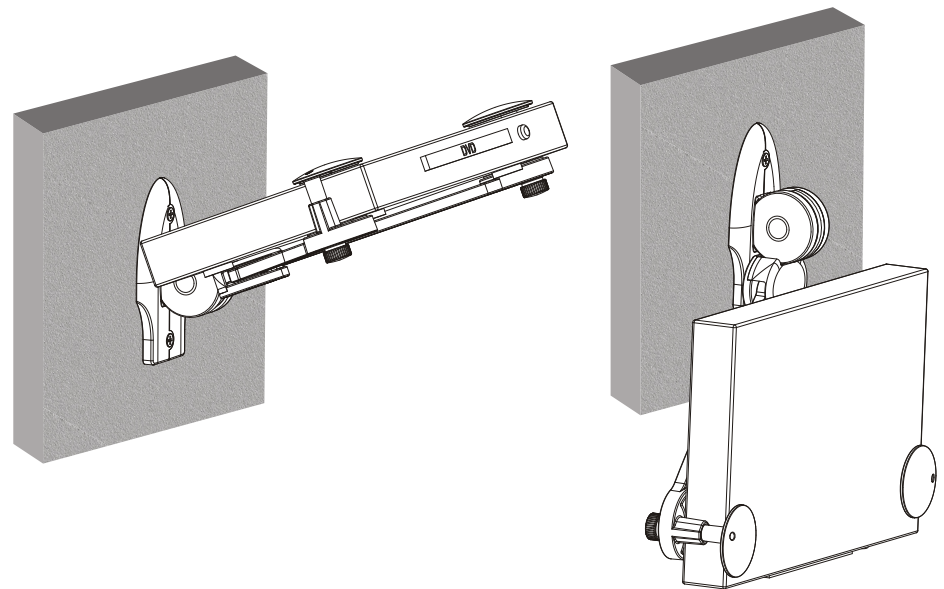
(DVD is not included)

loosen

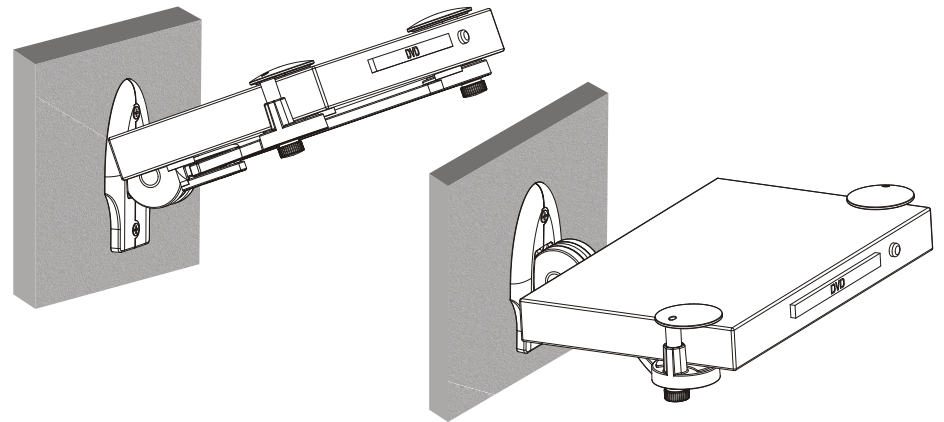
tighten

Tighten the knobs to make the clamp covers secure the DVD firmly.
Note: The width of support arm can be adjusted freely in a range of 200-450mm and the height of clamp cover can be adjusted in a range of 25-45mm for fitting different DVD size.

3. Mounting the Bracket



Lift up the bracket with attached DVD until it could no longer be lifted. At this time, fold the mount to make it be parallel with the wall.



Lift up the bracket with attached DVD until it could no longer be lifted. At this time, fold the mount to make it be vertical with the wall.