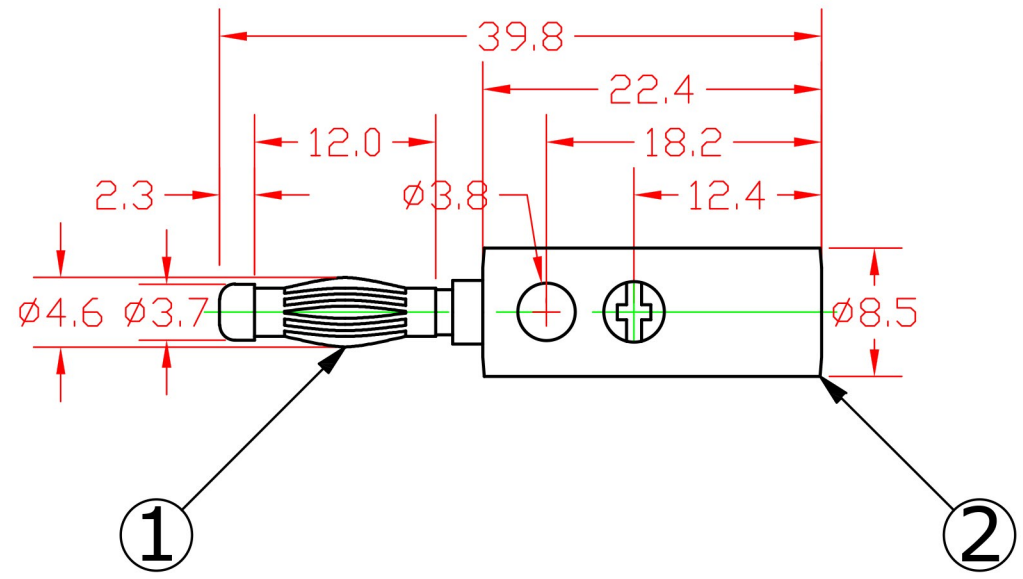


NOTE: ALL MATERIAL COMPLIANT ROHS STANDARD.

**RoHS
Compliant**

REVISION INFORMATION			
Rev.	Rev. Date	Modified By	Brief Description



ELECTRICAL TESTING
1. CONDUCTOR RESISTANCE: : ≤5Ω 300V DC

MY CABLE MART

DRAWN BY	DATE: 2014/04/23	DESCRIPTION: Banana Plug Gold Plated Plastic
CHECKED BY	SHEET 1 of 1	ITEM NO. 201201BK
APPROVED BY	SCALE 1:1	REV. 00 UNIT: mm

NO.	PART NAME	SPECIFICATION DESCRIPTION	Q'TY	UNIT
②	Shell	Plastic-Black for 201201BK, Red for 201201RD	1	PC
①	Banana Plug	Banana Plug-Gold Plated	1	PC