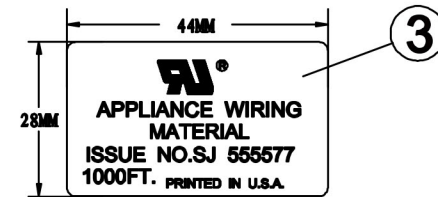
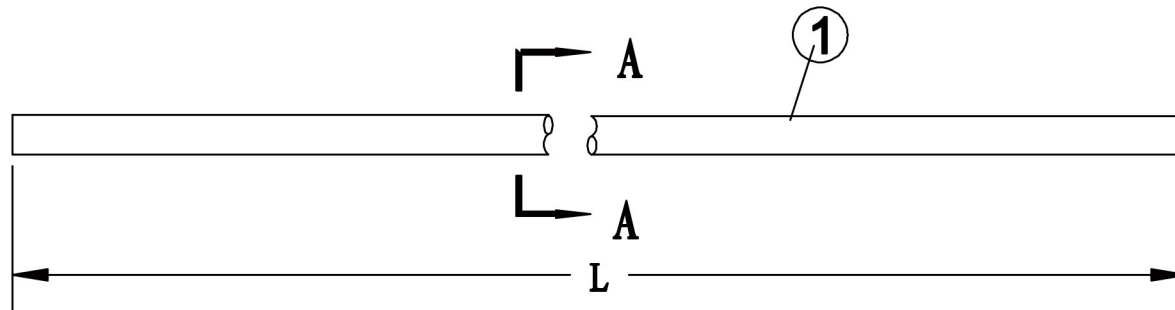


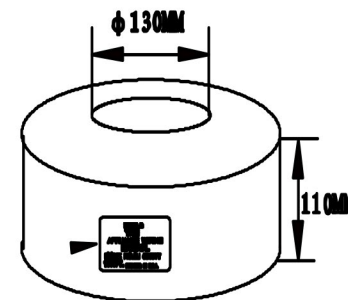
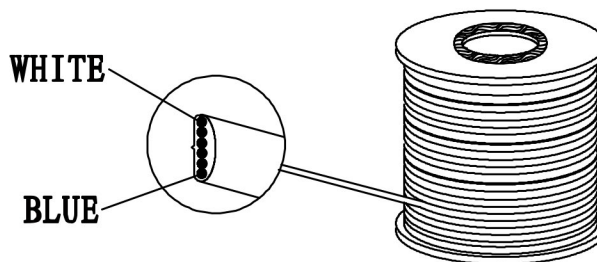
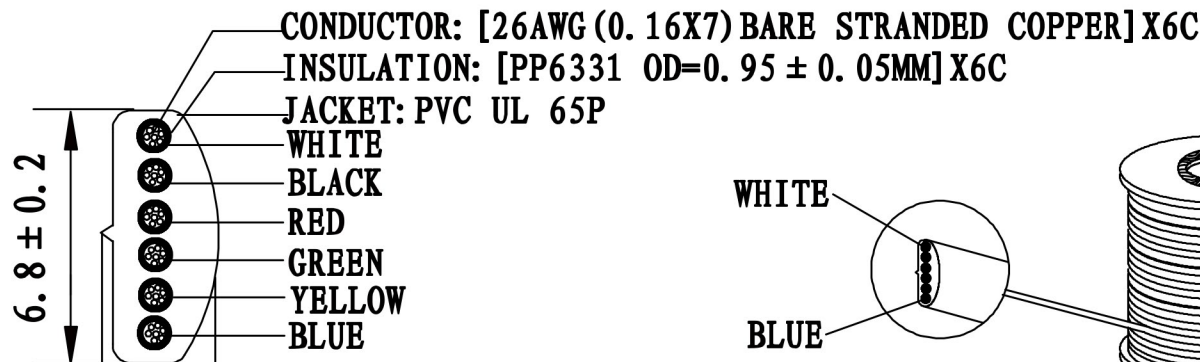
NOTE: ALL MATERIAL COMPLIANT ROHS STANDARD

REVISION INFORMATION			
Rev.	Rev. Date	Modified By	Brief Description
A/2	12-08-22	T0822A	
A/3	12-09-04	Q0904A2	
A/4	13-01-02	B1227B	



UL Label - blue color with black marking

Note: UL label on paper reel



Note : cable direction and 1000FT/R inner color sequence

1. BLACK INK MARKING: E166160 LINE TECH
 2. 4 ± 0.2
 SEC: A-A
 3. AWM 20251 60°C 150V 26AWG

PART NO	DRAWIM NO	CABLE LENGHT "L"	BUYER COLOR	VENDOR COLOR
170205	217-012-A	1000FT/R		S49-1 LIGHT

★. Test condition : 100% Electronic Test

MY CABLE MART, LLC

DRAWN BY:	DATE: 2013/01/02	DESCRIPTION: 1000FT/R 6C CABLE
CHECKED BY	SHEET 1 of 1	ITEM NO. 170205
APPROVED BY	SCALE 1:1	REV. A/4 UNIT: mm

NO.	PART NAME	SPECIFICATION DESCRIPTION	QTY	UNIT
④	UL Label	UL Label - blue color with black marking	1	PCS
③	Paper Reel	φ 240X φ 60X 内115X3MM Two ends with plastic head, as above	1	PCS
①	CABLE	1000FT/R 28AWG 4C	1	PCS