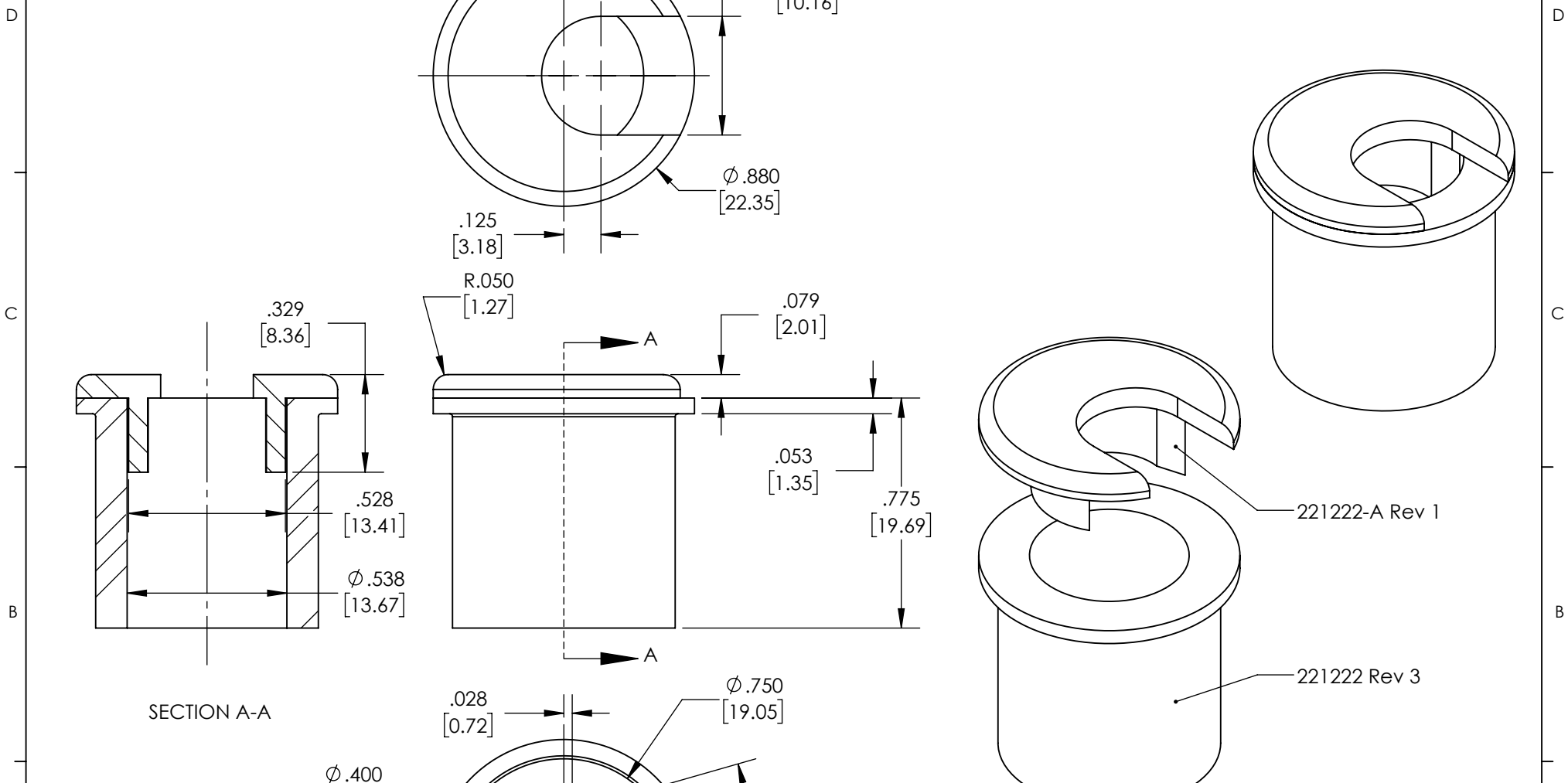



- NOTES:  
 1. REFER TO 3D CAD FOR COMPLETE GEOMETRY  
 2. BREAK ALL SHARP EDGES

REVISIONS			
REV.	DESCRIPTION	DATE	APPROVED
1	INITIAL CONCEPT	6/20/19	



PART FILE NAME: 221122 Rev 1	REVISION:	1

UNLESS OTHERWISE SPECIFIED:		
	DATE	NAME
DESIGNED	7.1.24	Soderstrom
DRAWN	MM/DD/YY	XXX
CHECKED	MM/DD/YY	N/A
ENG. APPR.	MM/DD/YY	N/A
MFG. APPR.	MM/DD/YY	N/A
Q.A.	MM/DD/YY	N/A

 BAINBRIDGE MANUFACTURING, INC P.O. BOX 487 WATERVILLE, WA 98858	TITLE: #1038 3/4" Grommet	
	SIZE: <b>A</b> DRAWING NUMBER: 221122	REV: 1
SCALE: 2:1	WEIGHT: 4.365 g	SHEET 1 OF 1

PROPRIETARY AND CONFIDENTIAL: THE INFORMATION CONTAINED IN THIS DRAWING IS THE SOLE PROPERTY OF BAINBRIDGE MANUFACTURING, INC. ANY REPRODUCTION IN PART OR AS A WHOLE WITHOUT THE WRITTEN PERMISSION OF BAINBRIDGE MANUFACTURING, INC. IS PROHIBITED.