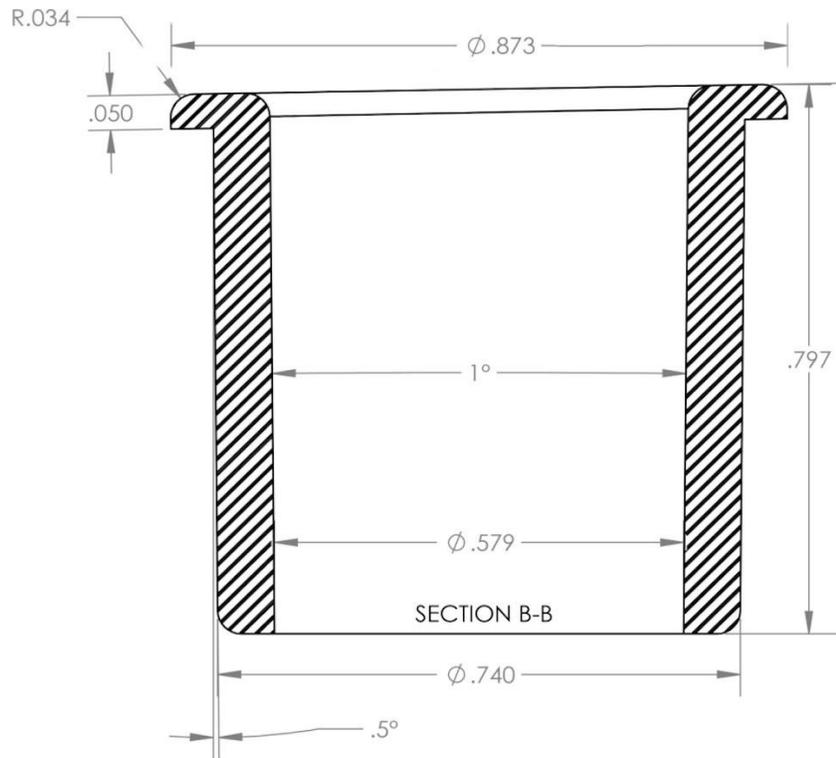


3/4" CUT-HOLE SIZE BLACK ROUND WIRE MANAGEMENT GROMMET **NO LID**



3/4 inch (19mm)



Lengths Available: 1 1/2in, 1 3/4in, 1in, 2 1/2in, 2 3/8in, 2in, 3in, 3/4in, 3/4in, 4in,

Colors Available: Black, White,

Part Numbers this model: BA-1037BK, BA-1039BK, BA-1041BK, BA-1031BK, BA-1038BK, BA-1035BK, BA-1043BK, **BA-1108BK**, BA-1048BK, BA-1040BK,

Sales Category: Grommets

Connector A: *Not Applicable*

Connector B: *Not Applicable*

Export Tariff Code (HST): 3921190000

Feature / Style:

Positions:

Convert From/To:

Wire Gauge (AWG): Not Specific / Not Applicable

Specification:

Number Ports: N/A

Transfer Rate:

Images Length/Size Shown: 3/4 IN

Shielding:

Type:

Organize your cables with professional desk and cabinet cable-pass through grommets. Cut hole to size specified, and either press or glue into place. Due to the size, this particular 3/4 inch grommet is NOT supplied with a lid

Specifications:

- Cut-hole Size Required: 0.75"
- Inside usable diameter (Approx): 0.579"
- Grommet Insert Width: 0.74"
- Grommet Depth: .797"
- Size Tolerances May Vary

Important Installation Note: The Grommets are manufactured to be slightly less than the hole size. For example, if we have a grommet advertised at 1.0 inches (example size ONLY), when measured on a caliper, it will measure at approx. 0.96 inches - or approx .04 inches LESS than the hole size of 1.0inches. This difference is by design to allow for the grommet to be inserted into the CUT hole size. These grommets after inserted into a cut hole are intended to move freely. If you need a TIGHT fit, a small amount of glue or silicon may be needed.

Please see technical drawing (Product Manual) below for size and shape details.